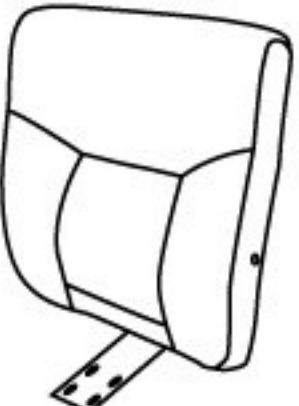
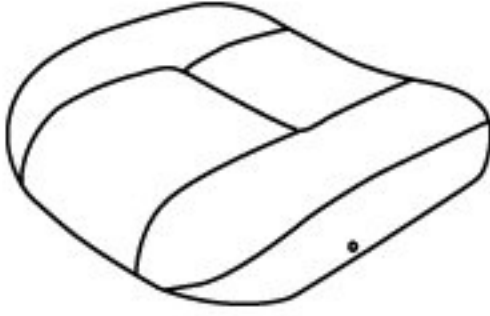





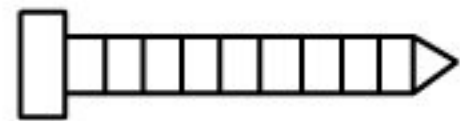
MODEL: VISITORS CHAIR

8511MD 8512MD 8512MD-K 8513MD-K 8511BN/MD-K

(1)x1	(2)x1	(3)x1 (L)x1 (R)
		
(4)x 1	(5)x1	
		

Please unscrew all screws from cushion before assembly.

(A)*4



M6 * 80

(B)*4



M6 * 25

(C)*2



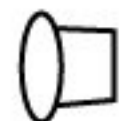
M6 * 20

(D)*2

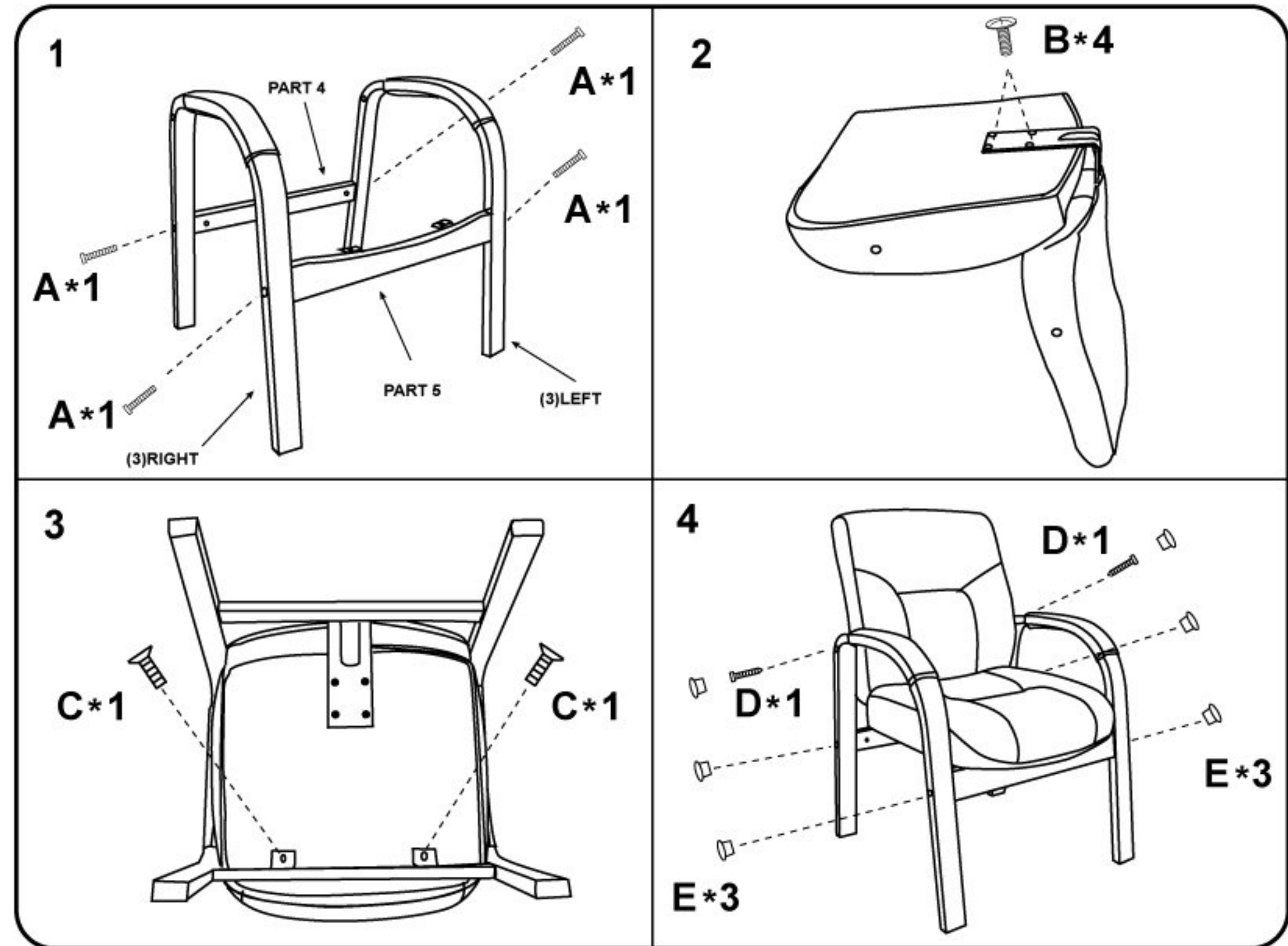


M6 * 65

(E)*6



wood cap



NOTE: Before insert all 6 (E) wood caps to screw holes:
 1. Lightly tighten the screws indicate on step 1.
 2. Tighten ALL 6 screws on step 4, then insert ALL 6 (D) wood caps to finish.

It is important to assemble all parts so that the directional "Arrows" point in the same direction. Make certain that all screws are FULLY tightened before using the chair. Each month, check all screws and tighten any that may have loosened.

